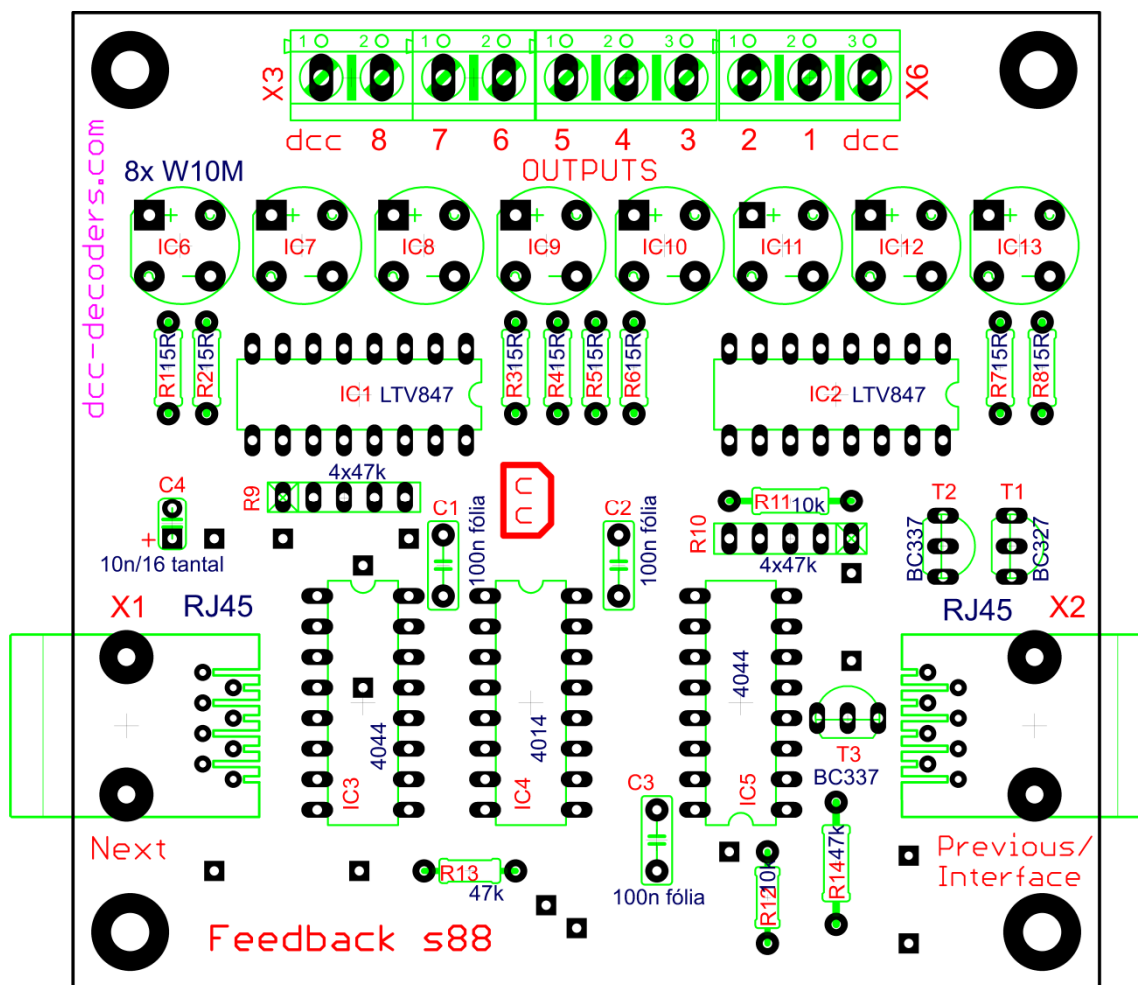
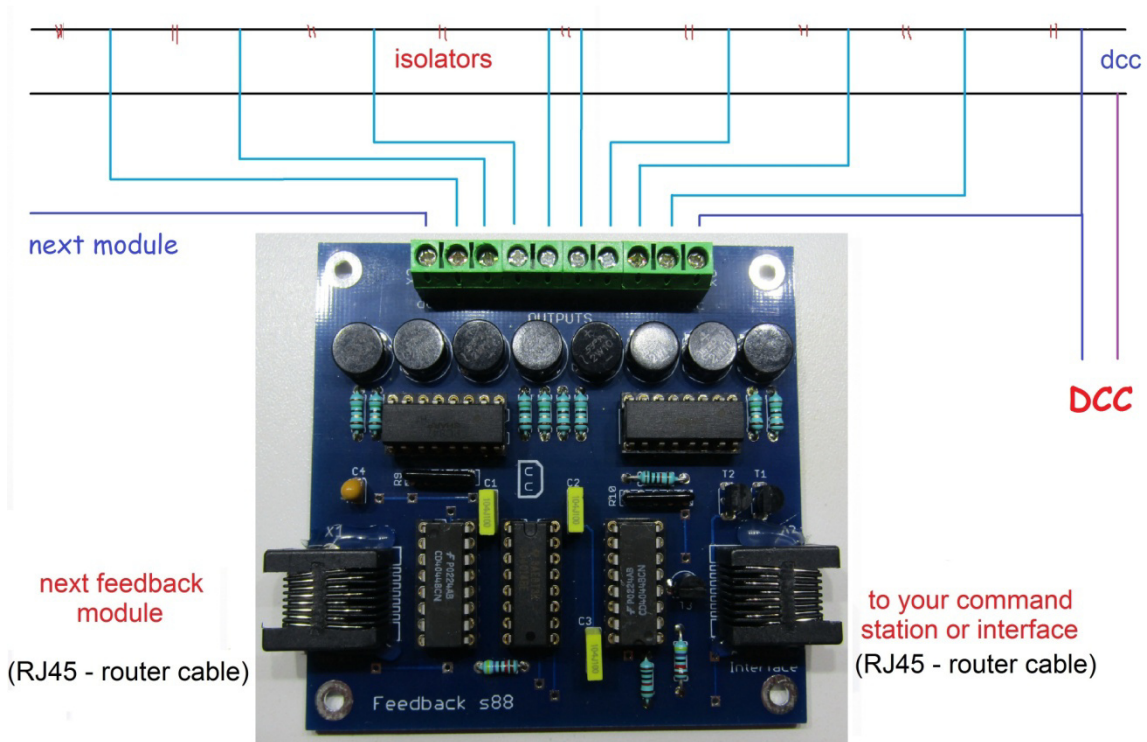


FEEDBACK MODULE S88N - DIY

IC1, IC2	LTV847	2
IC3, IC5	CD4044	2
IC4	CD4014	1
IC socket	SOKL16	5
T1	BC327	1
T2, T3	BC337	2
C1, C2, C3	100n fólia	3
C4	10n/16 tantal	1
IC6-13	W08M	8
R1-8	15R	8
R9, R10	4x47k	2
R11, R12	10k	2
R13, R14	47k	2
X1, X2	MX-95001-2881 (RJ45)	2
X3, X4	DG306-5.0-2P11	2
X5, X6	DG306-5.0-3P11	2
X1	Next module	
X2	Interface/Command station/Previous module	





Parameters:

- 8 independent isolated section
- the maximum current per channel is 1,5 amperes
- 16 Feedback modules can be used with the Interface module
- use 8 wires (Ethernet) cable to connect module(s)